

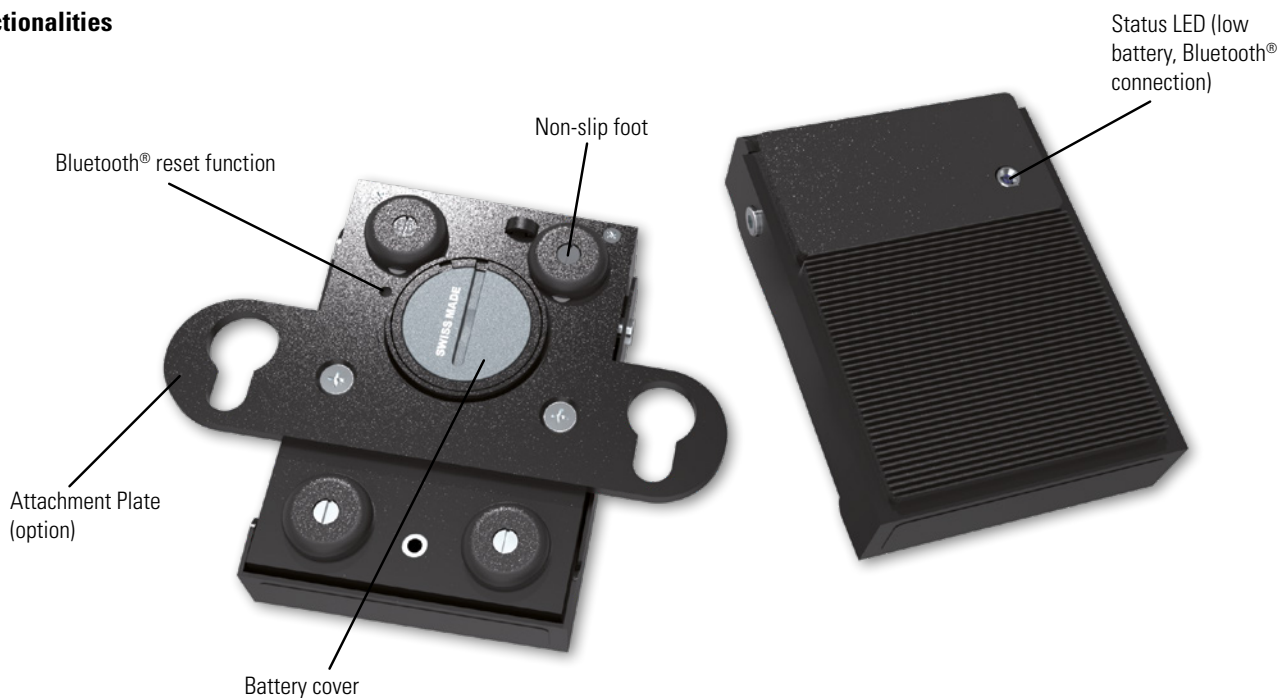
Description

Robust foot switch with built-in Bluetooth® wireless technology. Simple connection as with standard instruments and Sylvac software (see specifications). Behave like a USB foot switch (trigger).

- Use to act as F9 keyboard hotkey within Sylvac software
- Start sequence or request data



Functionalities



Status

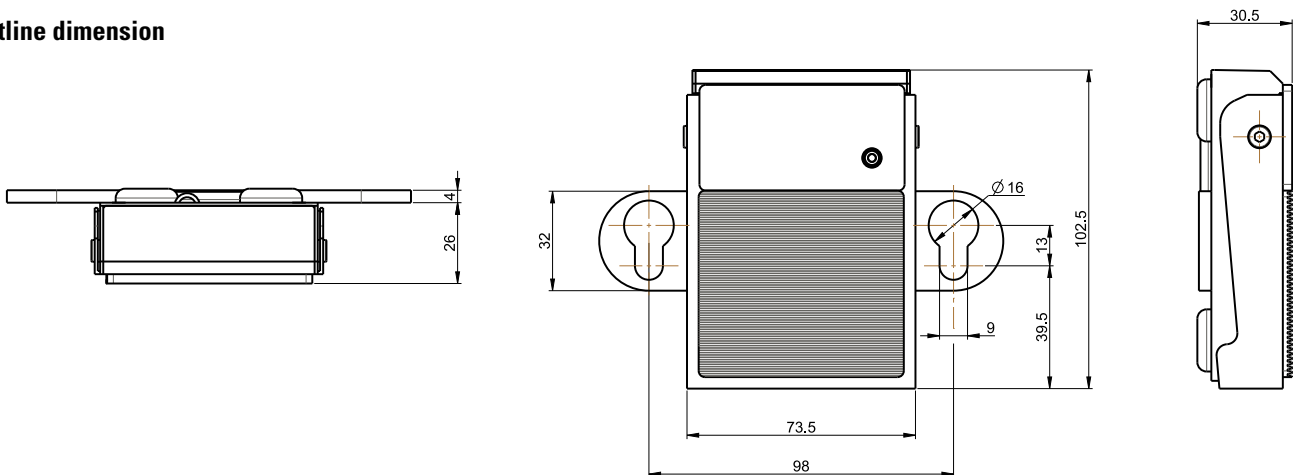
	State	Action	Led Status	Duration
Bluetooth® link - not paired	Disconnected (idle)	-	None	-
	Disconnected (connect fast)	Press footswitch	Blue LED flashing 1x/s	20s
Bluetooth® link - paired	Connected	-	Blue LED on	3s
	Disconnected (reconnect fast)	Press footswitch	Blue LED flashing 1x/s	60s
	Disconnected (reconnect slow)	-	Blue LED flashing 1x/10s	∞
Bluetooth® link - reset	Reset pairing	Press reset switch	Orange LED flashing once	-
Battery life	Good	-	None	-
	Low (~30h left)	Replace battery	Red LED flashing 1x/5s	∞
Errors	Link not fully established	Look at connection progress on software / try to reconnect	Red LED flashing 2x/press	-
	Internal communication problem	Reinsert battery / try to reconnect	Red LED flashing 2x/press	-
	Bluetooth module setup failed	Reinsert battery / call customer support	Red LED flashing 2x/s	∞
	Bluetooth module out of connector	Reinsert module / call customer support	Red LED on at footswitch press	3s
	Other errors	Call customer support	Red LED flashing 2x/s	∞

Specifications

Sylvac software compatibility	Vmux 1.37 and later	
Data output	Bluetooth® 4.0	
Data throughput (max)	1.7data/s	
Standby mode (default)	after 1min (1s latency after 1st data sent in standby mode before returning to active mode)	
Range	Open space:	up to 15m
	Industrial environment:	1-5m
Battery life	>3 years	
Battery type	CR2477 (3V / 1000mAh, Panasonic / Sony*)	
Options	Attachment plate (see catalogue)	
Weight	Foot switch:	260g
	Attachment plate:	85g
Working / storage temperatures	+5C° to +40°C / -10°C to +60°C	
IP specification	IP 53 (IEC60529)	

* Warning: CR2477N is not compatible !

Outline dimension



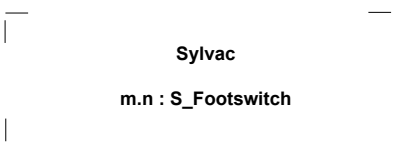
Homologations

DESCRIPTION OF BLUETOOTH® MODULE:

This module is based on Nordic Semiconductor nRF8001 µBlue Bluetooth® Low Energy Platform. The nRF8001 is a single chip transceiver with an embedded baseband protocol engine, suitable for ultra-low power wireless applications conforming to the Bluetooth® Low Energy Specification contained within v4.0 of the overall Bluetooth® specification. The nRF8001, used in the current revision of ISP091201, is a production product using a RoM for the baseband protocol engine.

Bluetooth® Certification

US/CANADA CERTIFICATION

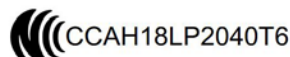


This device contains
FCC ID: 2AAQS-ISP091201
IC: 11306A-ISP091201

JAPAN CERTIFICATION



TAIWAN CERTIFICATION



警語
經型式認證合格之低功率射頻電機,非經許可,公司、商號或使用者均不得擅自變更頻率、加大功率或變更原設計之特性及功能。
低功率射頻電機之使用不得影響飛航安全及干擾合法通信,經發現有干擾現象時,應立即停用,並改善至無干擾時方得繼續使用。
前項合法通信,指依電信法規定作業之無線電通信。低功率射頻電機須忍受合法通信或工業、科學及醫療用電波輻射性電機設備之干擾。

MEXICO CERTIFICATION

La operación de este equipo está sujeta a las siguientes dos condiciones: (1) es posible que este equipo o dispositivo no cause interferencia perjudicial y (2) este equipo o dispositivo debe aceptar cualquier interferencia, incluyendo la que pueda causar su operación no deseada.

Contiene modulo inalámbrico
Marca: Sylvac
Modelo: ISP091201D
IFT: RCPYSI14-0655

Note: BLUETOOTH® instruments and accessories are only available in countries for which certification has been obtained (UE, USA, JP, CN, TW etc.). Look at our website, www.sylvac.ch, for the list of countries that have obtained certification. If your country is not on the list, please contact your local Sylvac reseller.

The Bluetooth® word mark and logos are registered trademarks owned by the Bluetooth SIG, Inc. and any use of such marks by Sylvac is under license. Other trademarks and trade names are those of their respective owners.

BRAZIL CERTIFICATION

Este equipamento opera em caráter secundário, isto é, não tem direito à proteção contra interferência prejudicial, mesmo de estações do mesmo tipo e não pode causar interferência a sistemas operando em caráter primário.



SOUTH KOREA CERTIFICATION

MSIP-CRM-iNs-ISP091201

Class A Equipment (Industrial Use)

이 기기는 업무용(A급) 전자파적합기기로서 판매자 또는 사용자는 이 점을 주의하시기 바라며, 가정 외의 지역에서 사용하는 것을 목적으로 합니다.

NOTICE:

Changes or modifications made to this equipment not expressly approved by Sylvac may void the FCC authorization to operate this equipment.

NOTICE:

This device complies with Part 15 of the FCC Rules and with RSS-210 of Industry Canada. Operation is subject to the following two conditions.

- (1) this device may not cause harmful interference, and
- (2) this device must accept any interference received, including interference that may cause undesired operation.

NOTE:

This equipment has been tested and found to comply with the limits for a Class A digital device, pursuant to Part 15 of the FCC Rules. These limits are designed to provide reasonable protection against harmful interference when the equipment is operated in a commercial environment. This equipment generates, uses, and can radiate radio frequency energy and, if not installed and used in accordance with the instruction manual, may cause harmful interference to radio communications. Operation of this equipment in a residential area is likely to cause harmful interference in which case the user will be required to correct the interference at his own expense.

RADIOFREQUENCY RADIATION EXPOSURE INFORMATION:

This equipment complies with FCC radiation exposure limits set forth for an uncontrolled environment. This equipment should be installed and operated with minimum distance of 20 cm between the radiator and your body. This transmitter must not be co-located or operating in conjunction with any other antenna or transmitter.