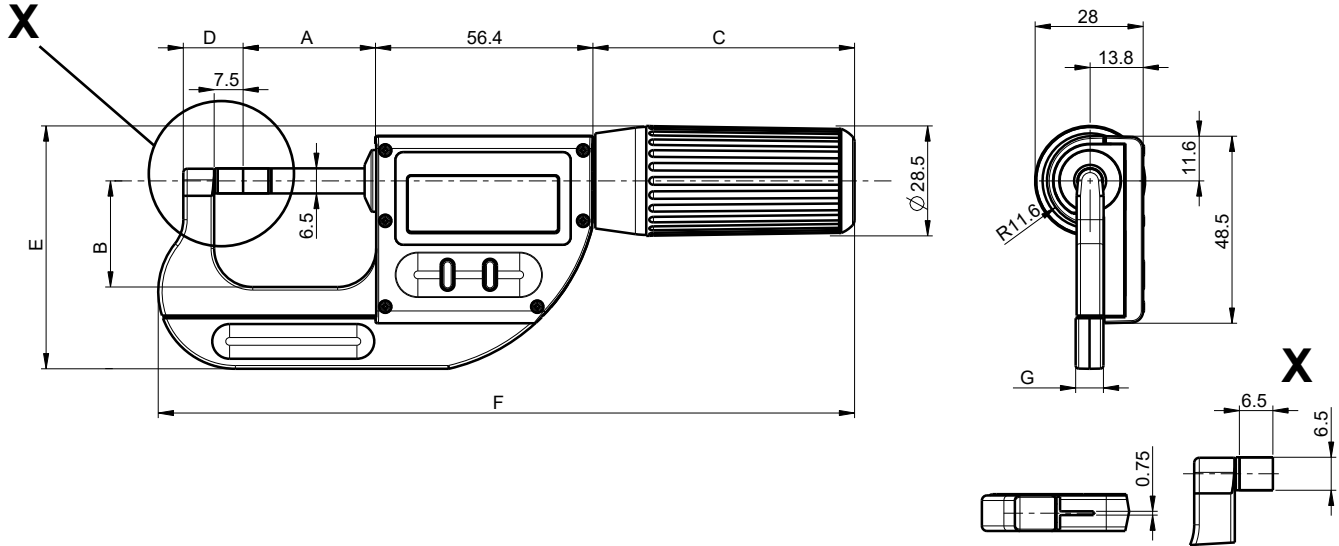


Professional micrometer

S_Mike PRO

DIMENSIONAL DRAWING

KNIFE-SHAPED



TECHNICAL SPECIFICATIONS

		803.0302	903.0602	903.1002	903.1302	903.1602	803.0308
Measuring range	mm	0-25	25-60	60-95	95-130	120-155	0-25
Max. Error G ¹⁾	µm	3	4	5	6	7	3
Repeatability ²⁾	µm	1	1	1	2	2	1
Anvils types		0.75x6.5					0.75x6.5
A	mm	34.3	70.3	106.3	140.3	165.3	34.3
B	mm	27.5	43	60	95	110	27.5
C	mm	68	74	74	74	74	68
D	mm	15.5	16.5	17.5	22.5	22.5	15.5
E	mm	63	86	106	151	169	63
F	mm	181	230	269	306	339	181
G	mm	7.2	9	9	9	9	7.2
Output data		USB / RS 232 ³⁾					Bluetooth*
Prot. rating accor. to IEC 60529		IP67 even connected					
Setting by PC		●					
Adjustable measuring force		5N / 10N	10N			5N / 10N	
Non-rotating spindle		●					
Fast movement		●					
Preset function		●					
Smart Inductive Sensor		●					

¹⁾ according to DIN 863

²⁾ ± 1 digit

³⁾ see cables chapter

* Up to 8 instruments connected per dongle #981.7100
More informations on How to use Bluetooth® leaflet SYL_1401_EN_BT